

8

7

6

5

↓

4

3

2

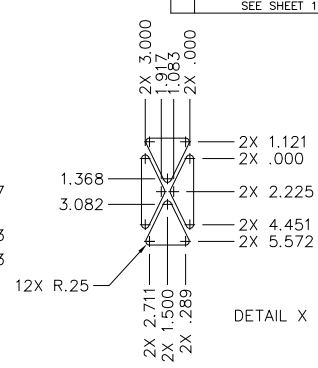
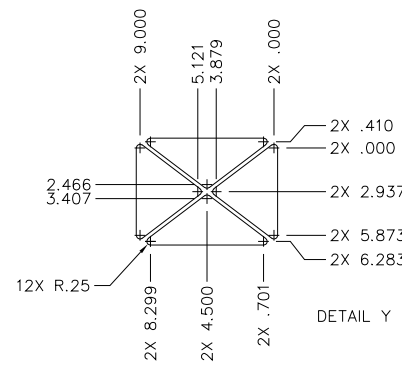
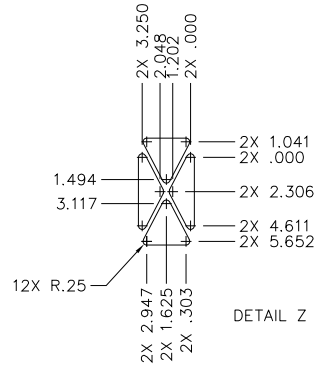
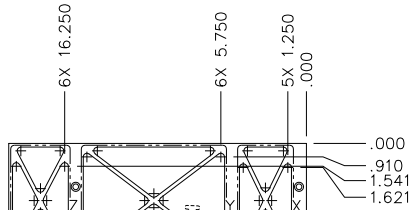
1

CAD MAINTAINED, CHANGES SHALL BE INCORPORATED BY DESIGN ACTIVITY

REVISION HISTORY			
REV	DESCRIPTION	DATE	APPROVAL
1	SEE SHEET 1		

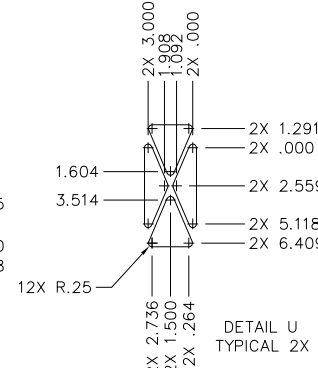
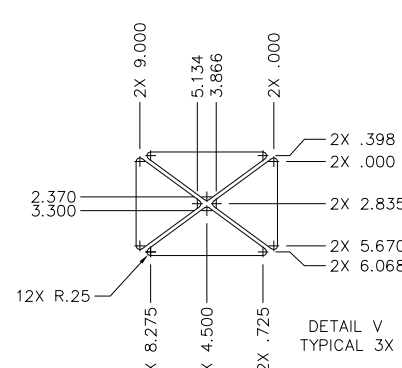
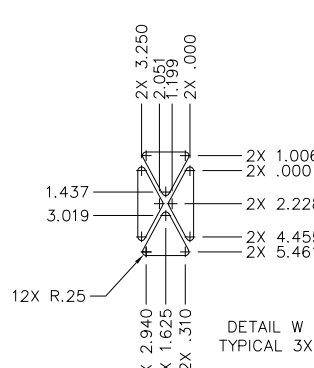
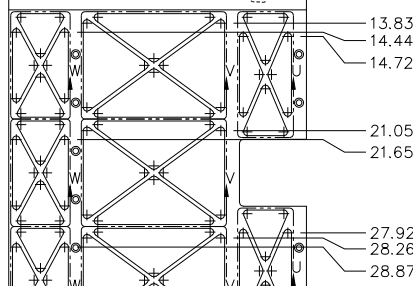
D

D



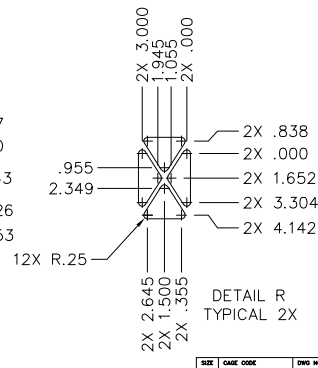
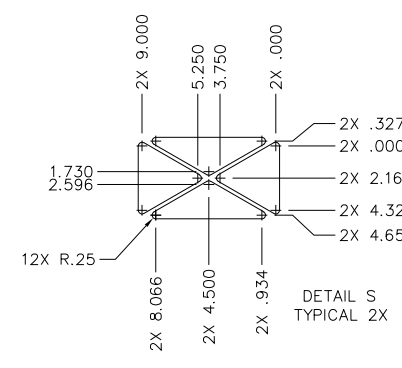
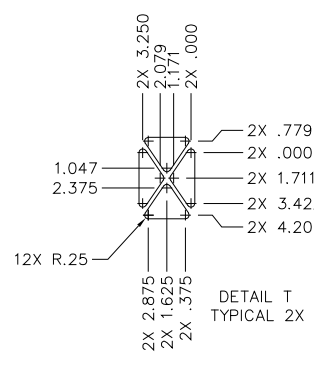
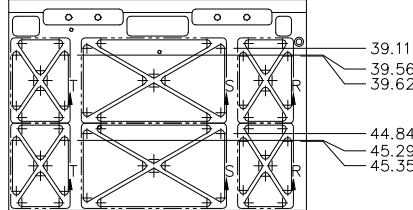
C

C



B

B



A

A

PATTERN ORIGINS

8

7

6

5

↑

4

3

2

1

SIZE	DATE CODE	DWG NO.	REV
D	155704	ASP-001	
SCALE	1/4	N/A	SHEET 3 OF 3