

8 7 6 5 4 3 2 1

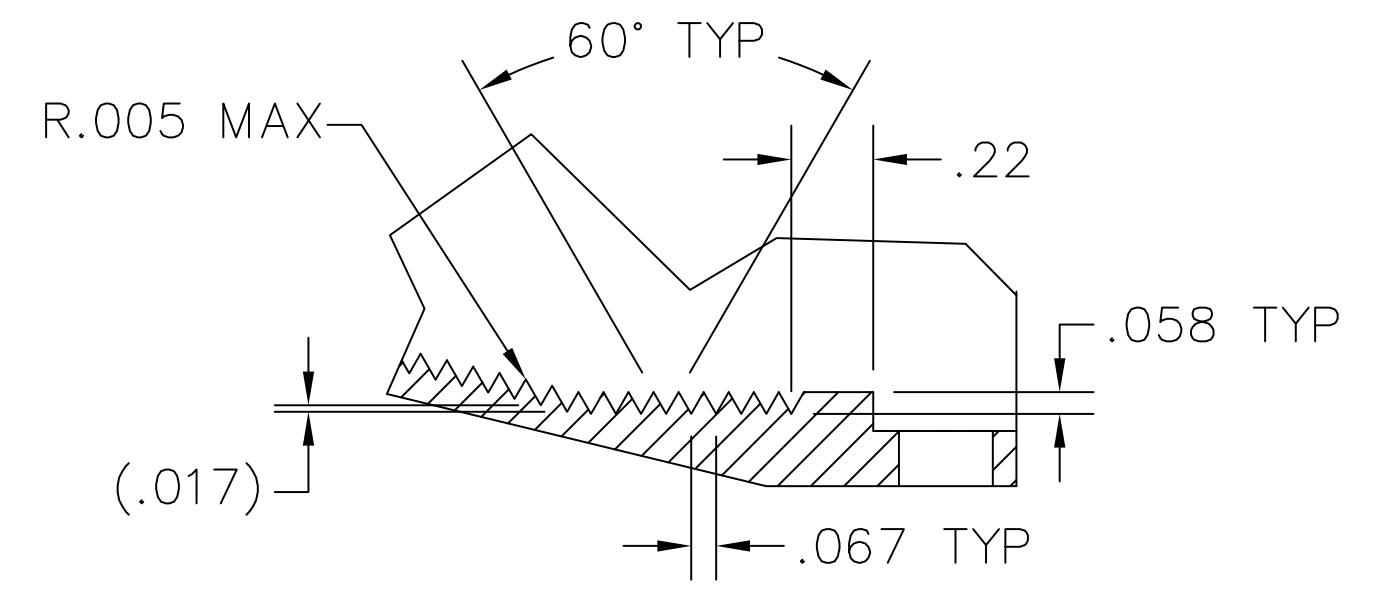
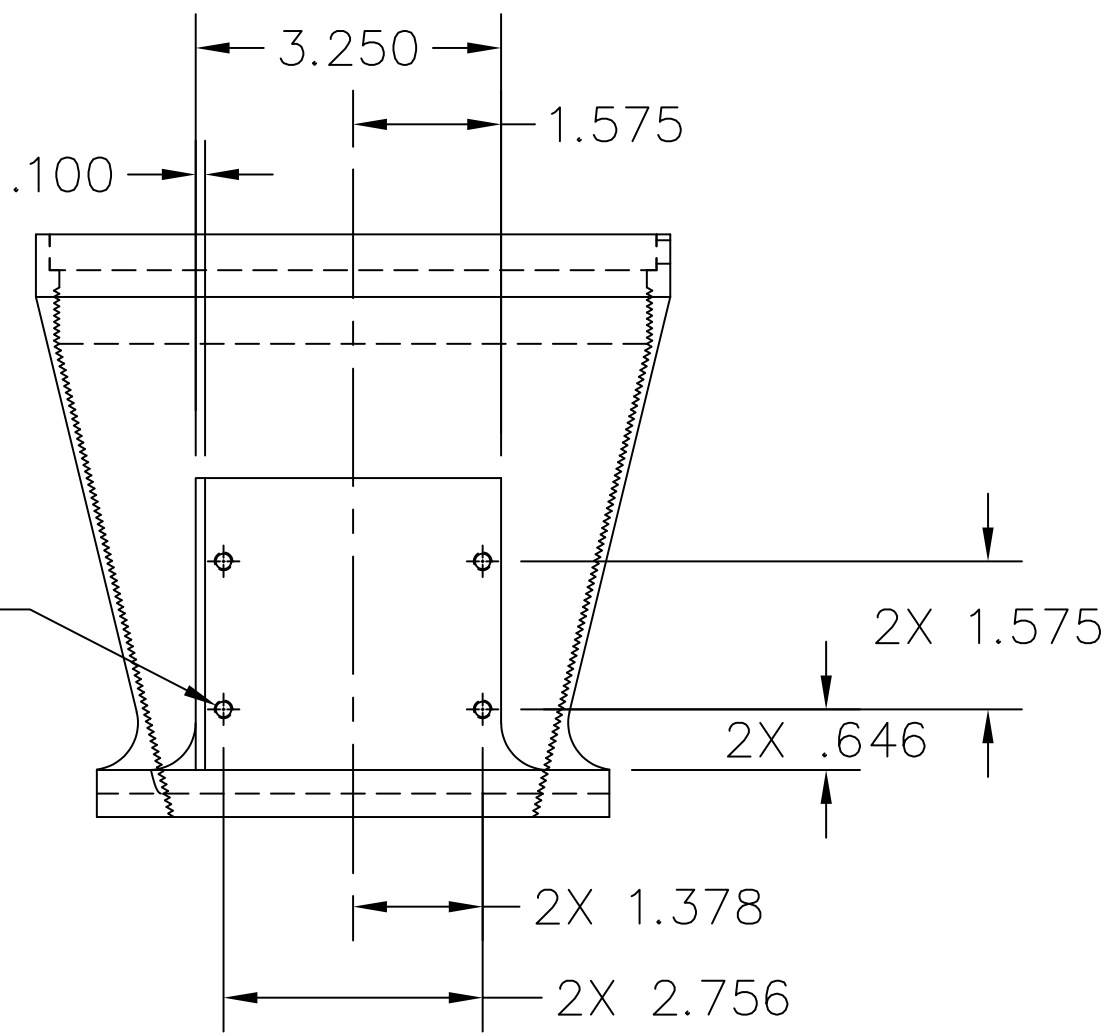
NOTES:

- BREAK ALL CORNERS AND SHARP EDGES.
- MATERIAL: ALUM ALLOY, 6061-T6, PER SAE-AMS-QQ-A-250/11
- ALL INSIDE RADII TO BE R.50 UNLESS OTHERWISE SPECIFIED
- FINISH: BLACK ANODIZE PER 271001
- ALL DIMENSIONS APPLY AFTER PROCESSING.

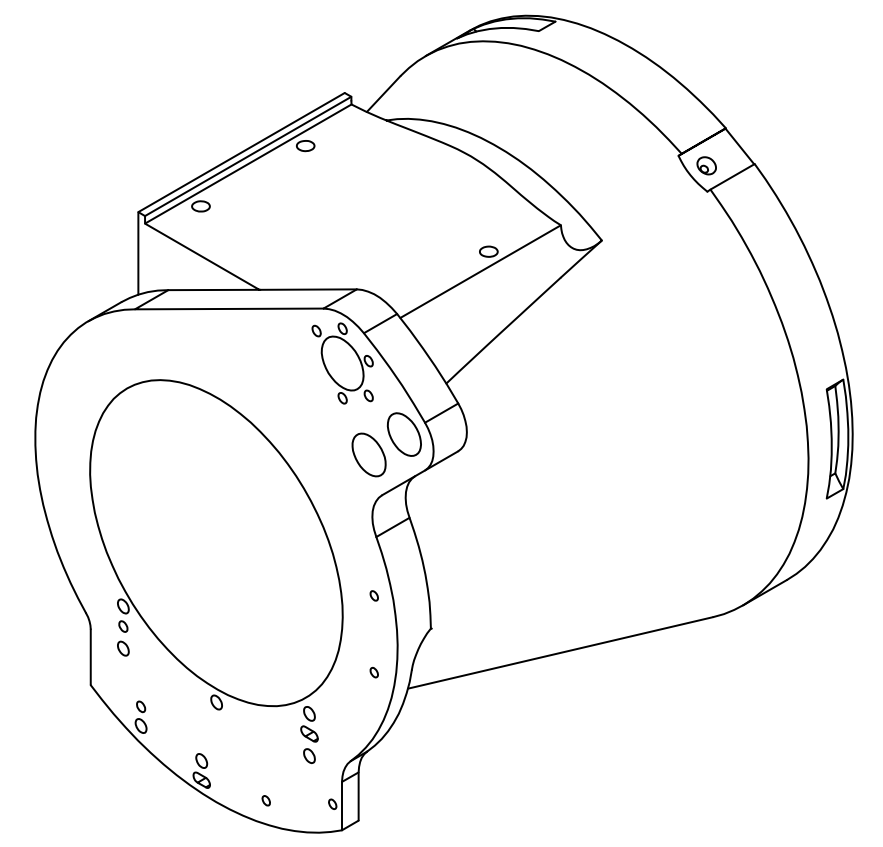
6 INKSTAMP PER MIL-STD-130, THE FOLLOWING PART NUMBER AND APPLICABLE MANUFACTURERS CAGE CODE, USING .125±.010 HIGH CHARACTERS LOCATED APPROXIMATELY AS SHOWN
 55704-231401
 MFR: []

CAD MAINTAINED, CHANGES SHALL BE INCORPORATED BY DESIGN ACTIVITY

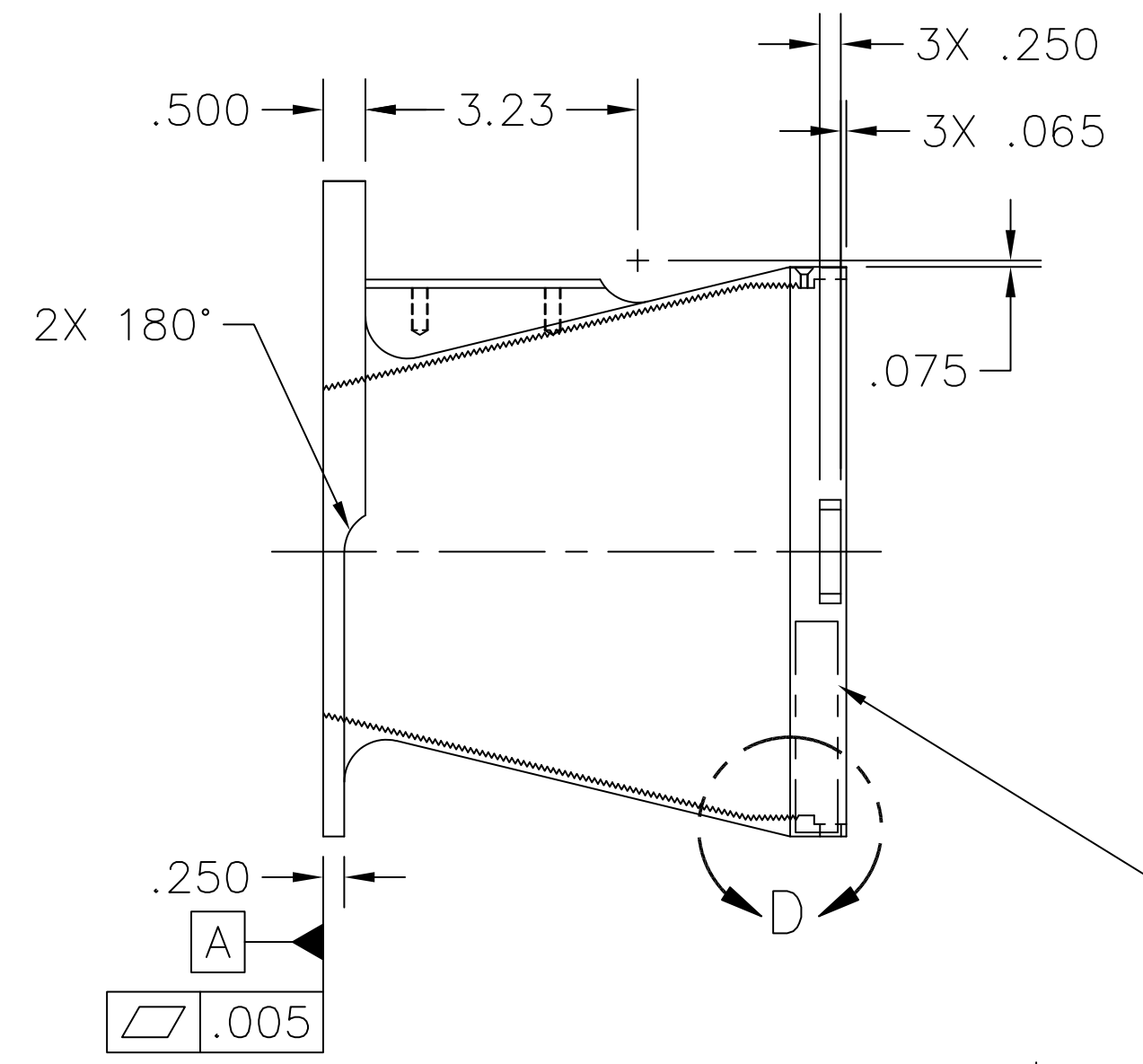
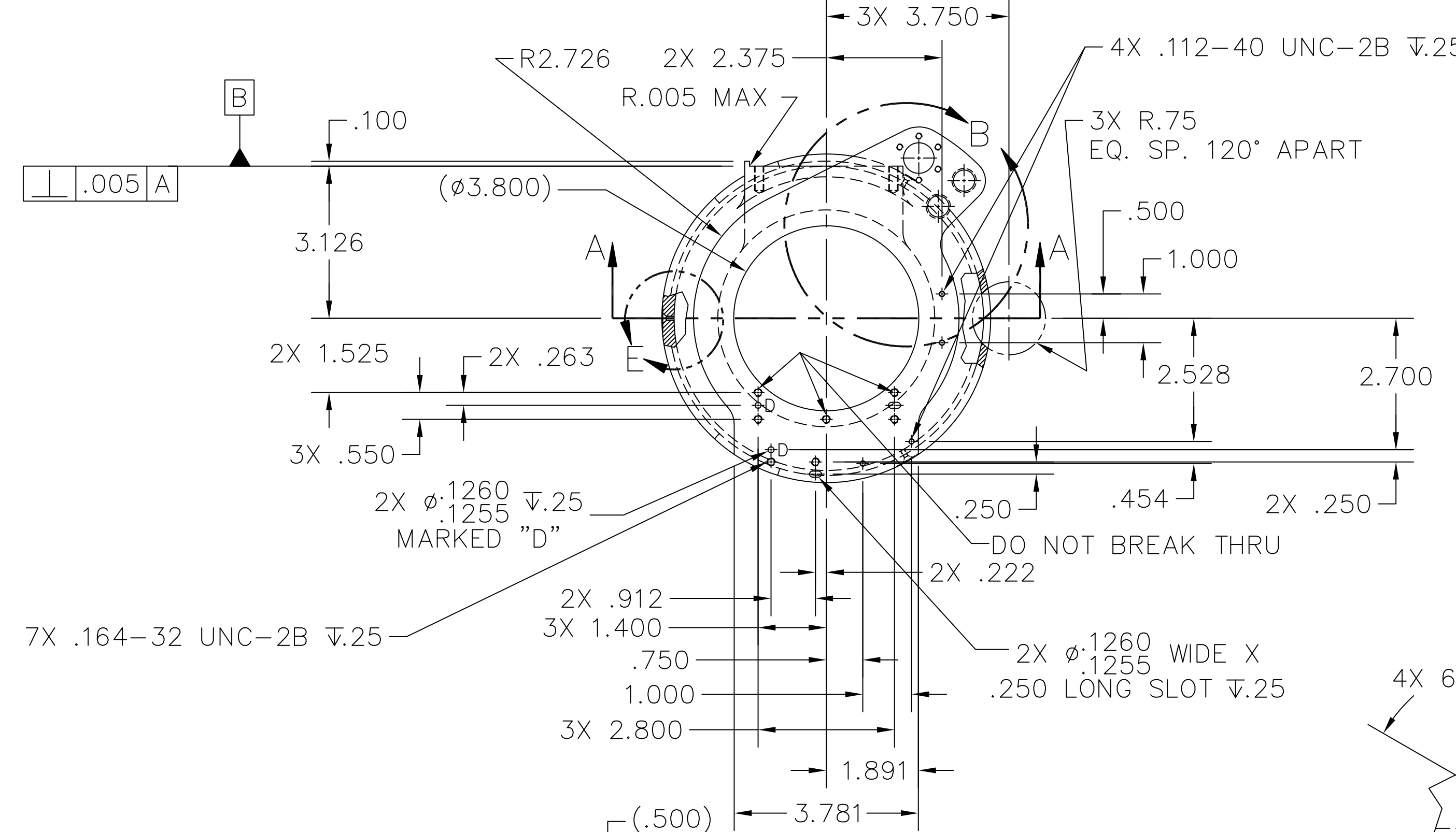
REVISION HISTORY			
REV	DESCRIPTION	DATE	APPROVAL



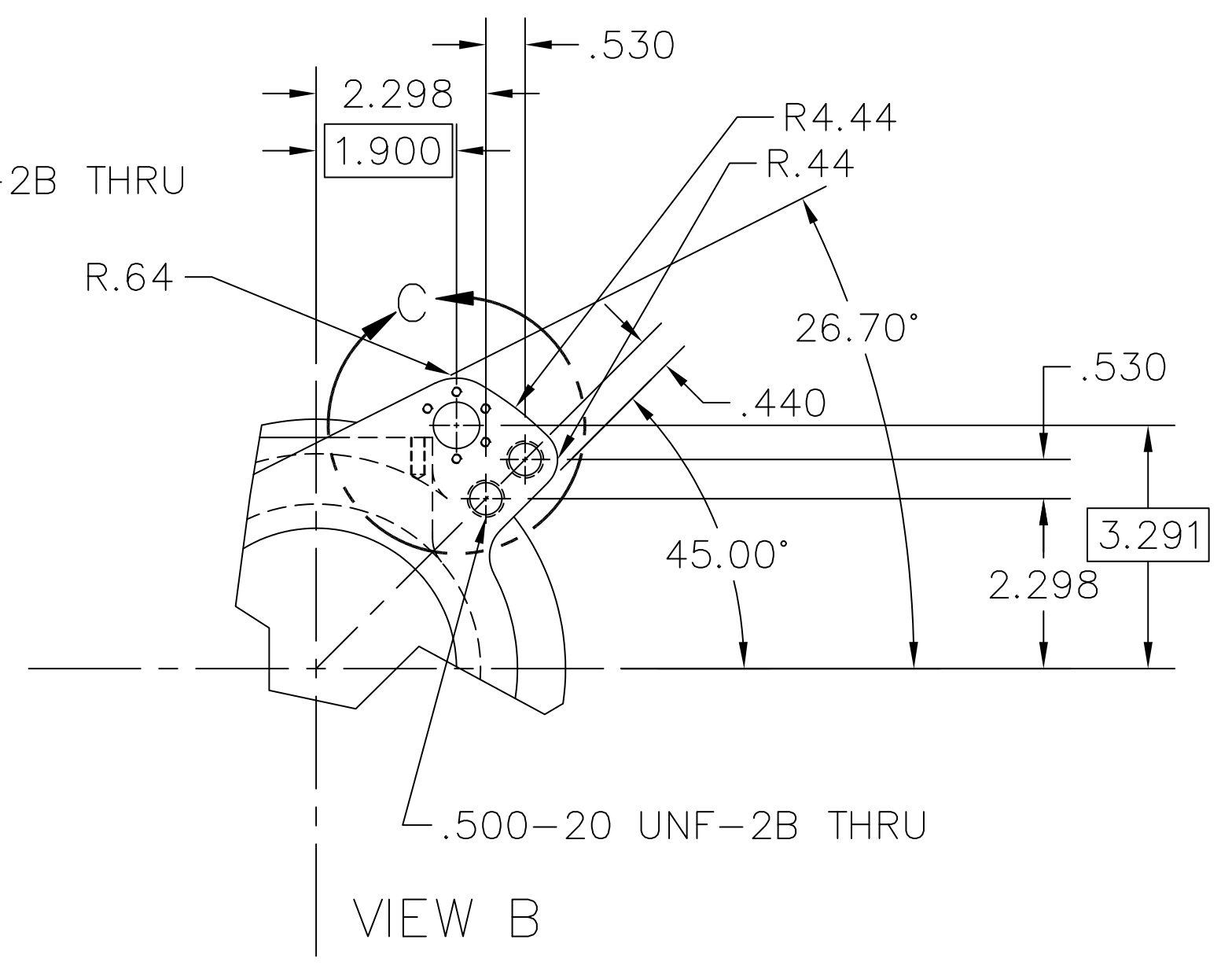
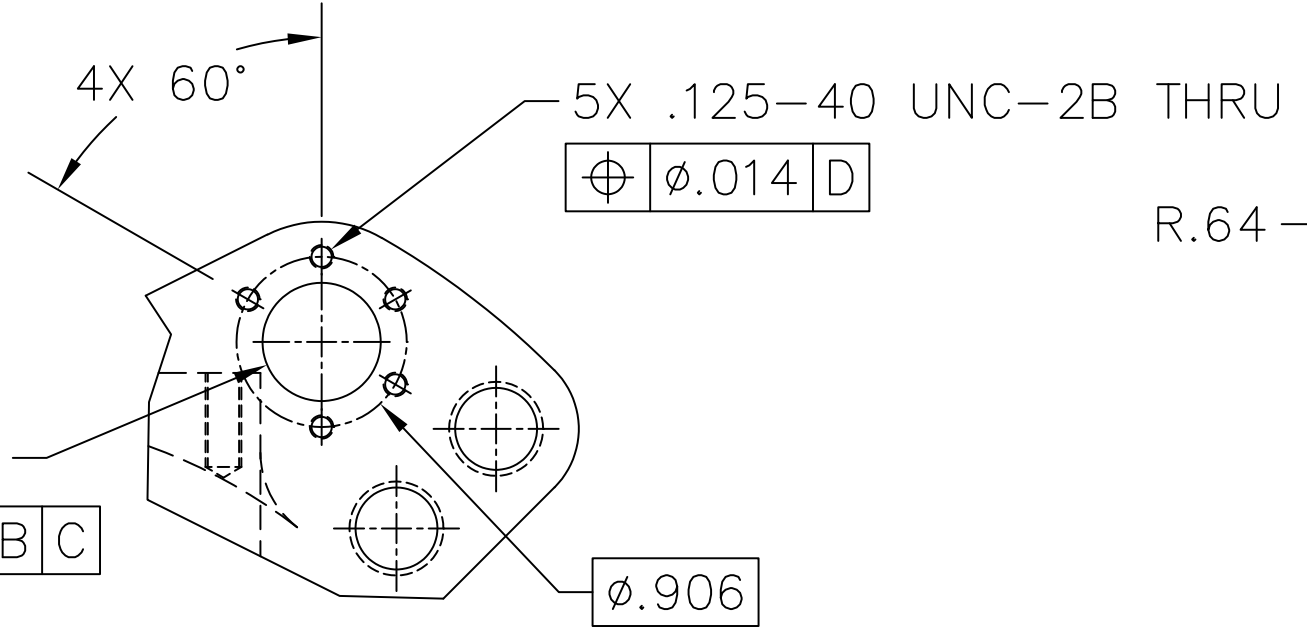
VIEW D
SCALE: 4/1



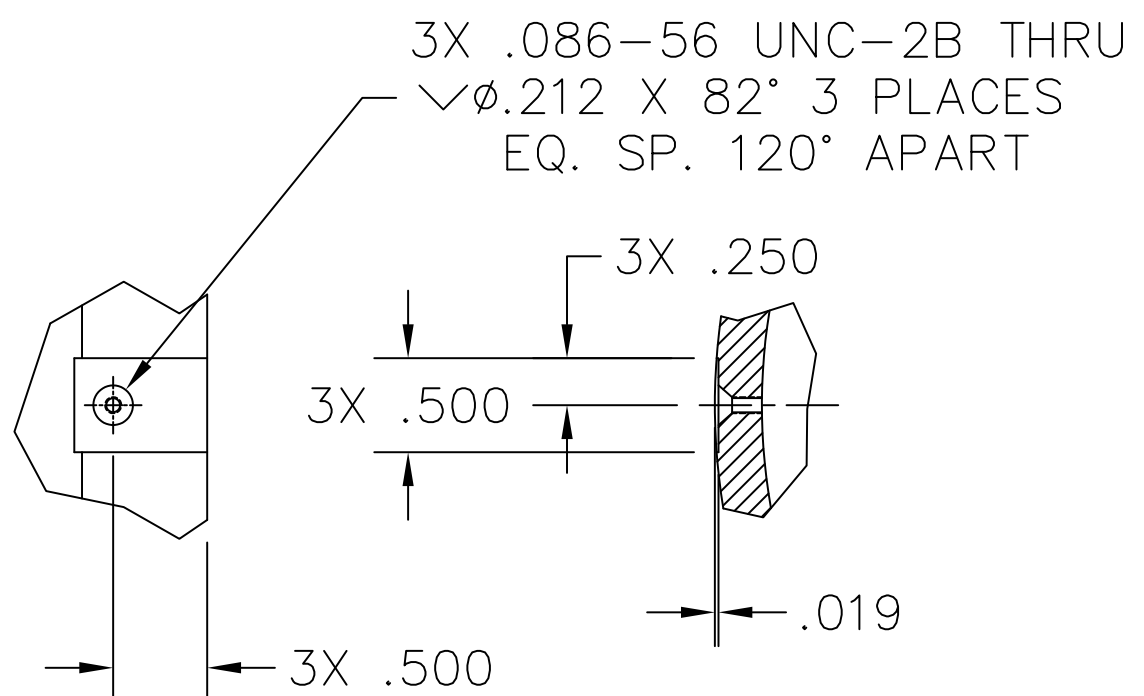
ISOMETRIC VIEW
REFERENCE ONLY



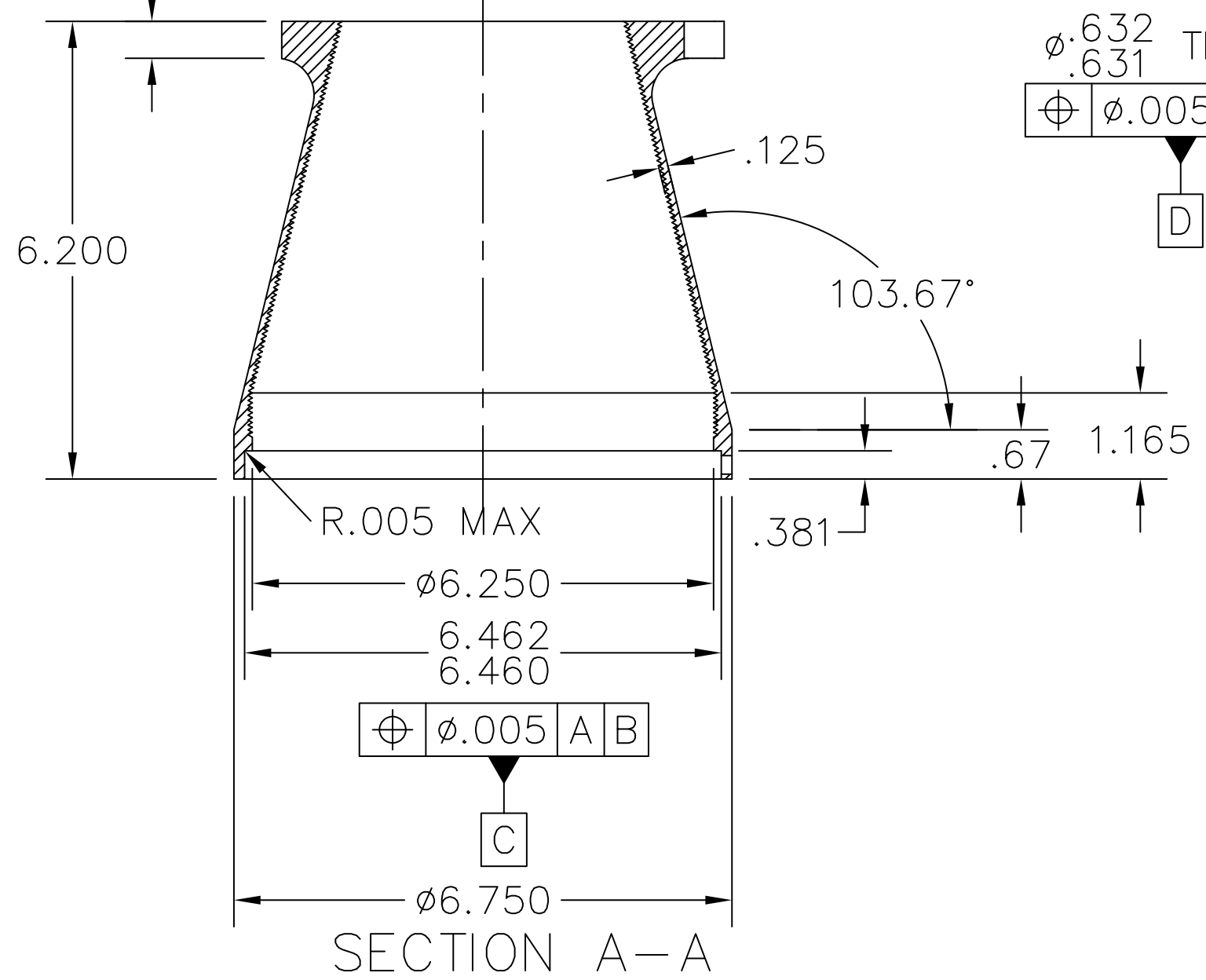
VIEW C
SCALE: 1/1



VIEW B



VIEW E
SCALE: 1/1



SECTION A-A

UNLESS OTHERWISE SPECIFIED DIM ARE IN INCHES TOL ON ANGLE ±.50° 2PL ±.01 3 PL ±.005 INTERPRET DIM AND TOL PER ASME Y14.5M - 1994		CONTRACT NUMBER		NATIONAL SOLAR OBSERVATORY SACRAMENTO PEAK SUNSPOT, NEW MEXICO	
CHKR E. LACROIX	DATE 05/17/00	SHUTTLE, FIELD LENS #1		SIZE D 55704	CAGE CODE N/A
ENGR S. GREGORY	DATE 05/30/00	231400 IS00N		DWG NO. 231401	REV -
ENGR S. GREGORY	DATE 05/30/00	NEXT ASSY USED ON		SCALE 1/2	SHEET 1 OF 1
DESIGN APPROVAL S. GREGORY	DATE 05/30/00	APPLICATION		N/A	

8 7 6 5 4 3 2 1